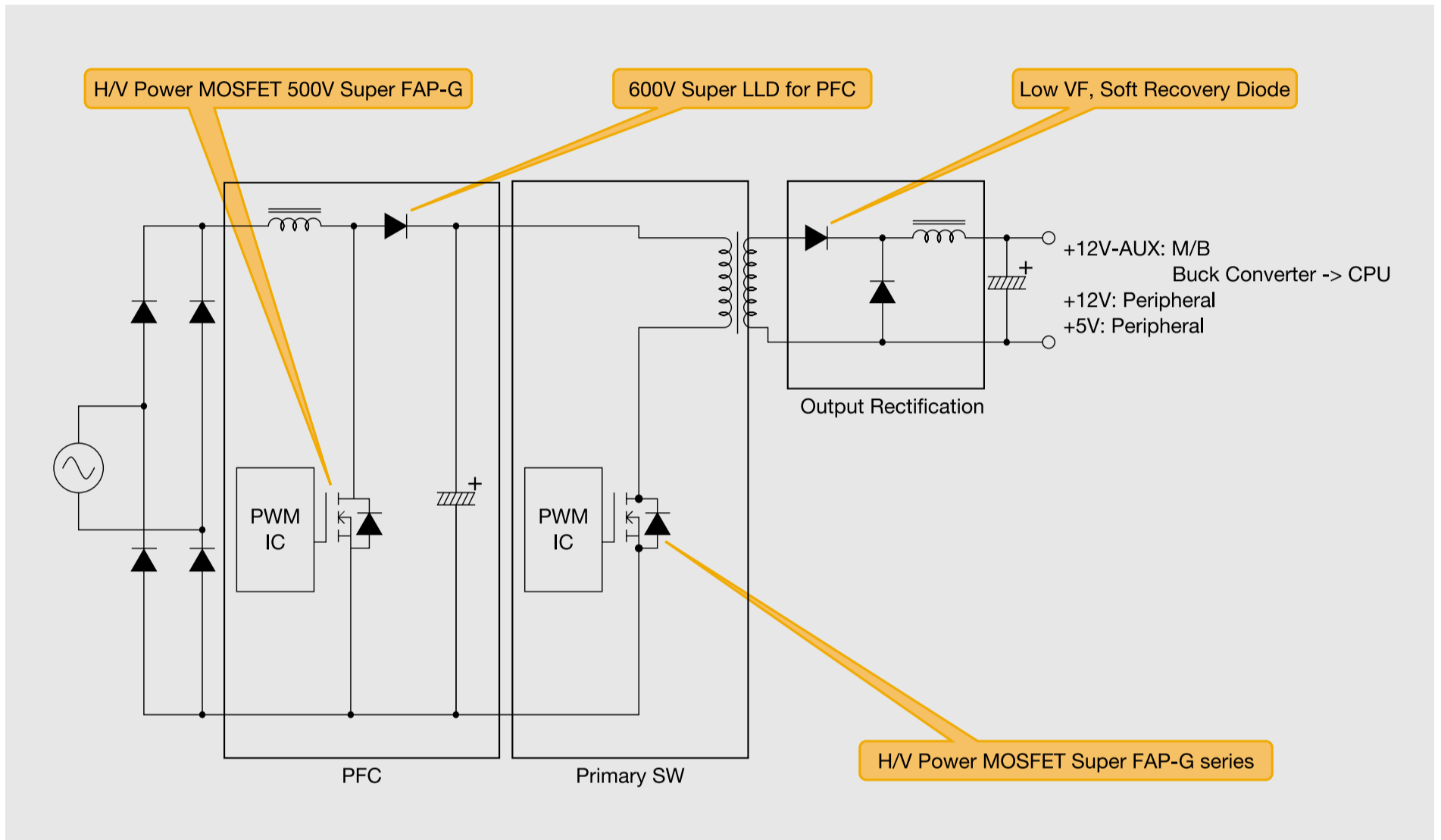
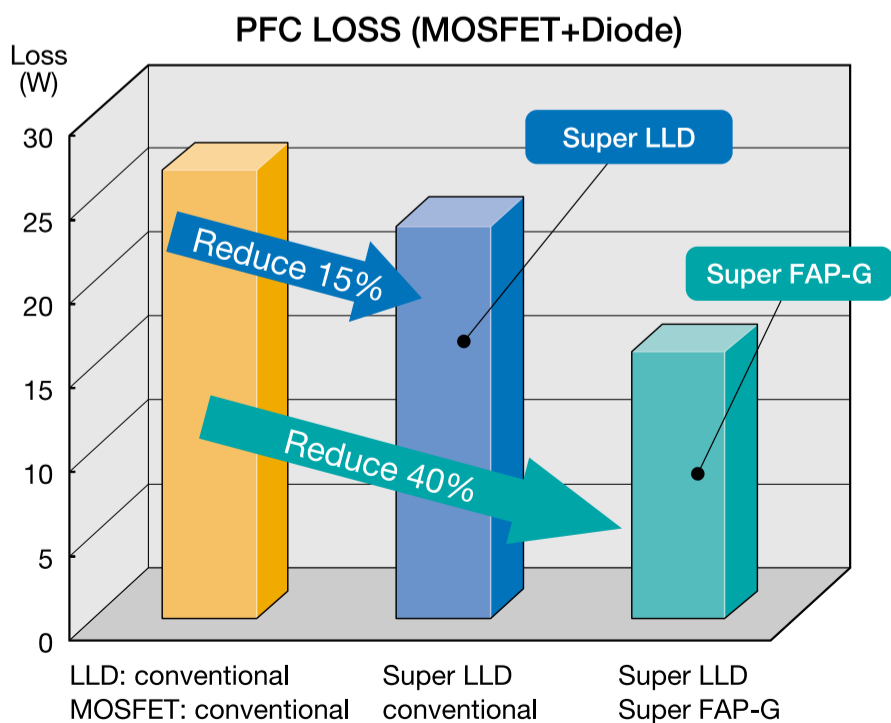


# 富士场效应管 Super FAP-G 系列及 Super LLD

## Fuji Power MOSFET Super FAP-G series & Super LLD



● **整体功耗 PFC 电路 (MOSFET+Diode)**  
Total Loss (MOSFET+Diode) of PFC circuit



● **减少整体 MOSFET 功耗**  
Reduce total dissipation of MOSFET

1. Reduce turn-on dissipation  
Improve reverse recovery characteristic of diode  
Reduce of IRP → **Super LLD**
2. Reduce Ron and turn-off dissipation  
Improve switching dissipation  
Reduce of Eoff → **Super FAP-G**